

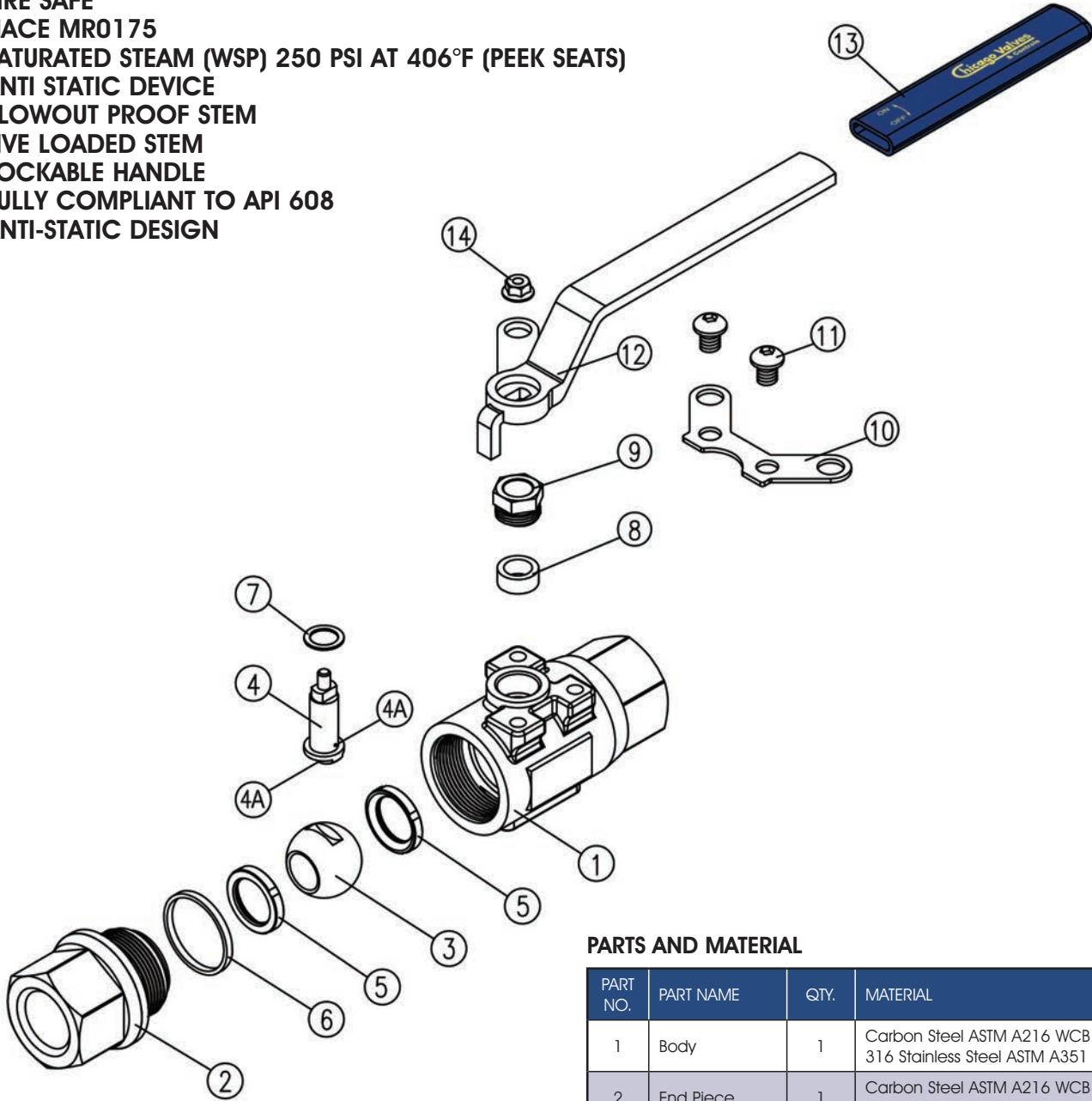
# Chicago Valves & Controls



— **SERIES 27/FS27** —  
**SEAL WELD CLASS 1500**  
**BALL VALVE**

**3600 CWP**  
**316 STAINLESS STEEL - ASTM A351 CF8M**  
**CARBON STEEL - ASTM A216 WCB**  
**FIRE SAFE**  
**NACE MR0175**  
**SATURATED STEAM (WSP) 250 PSI AT 406°F (PEEK SEATS)**  
**ANTI STATIC DEVICE**  
**BLOWOUT PROOF STEM**  
**LIVE LOADED STEM**  
**LOCKABLE HANDLE**  
**FULLY COMPLIANT TO API 608**  
**ANTI-STATIC DESIGN**

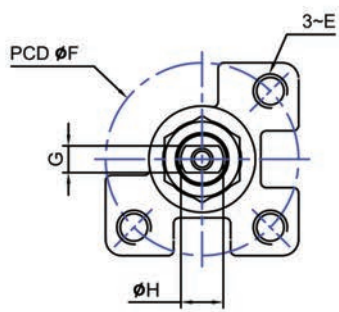
**Series FS27**



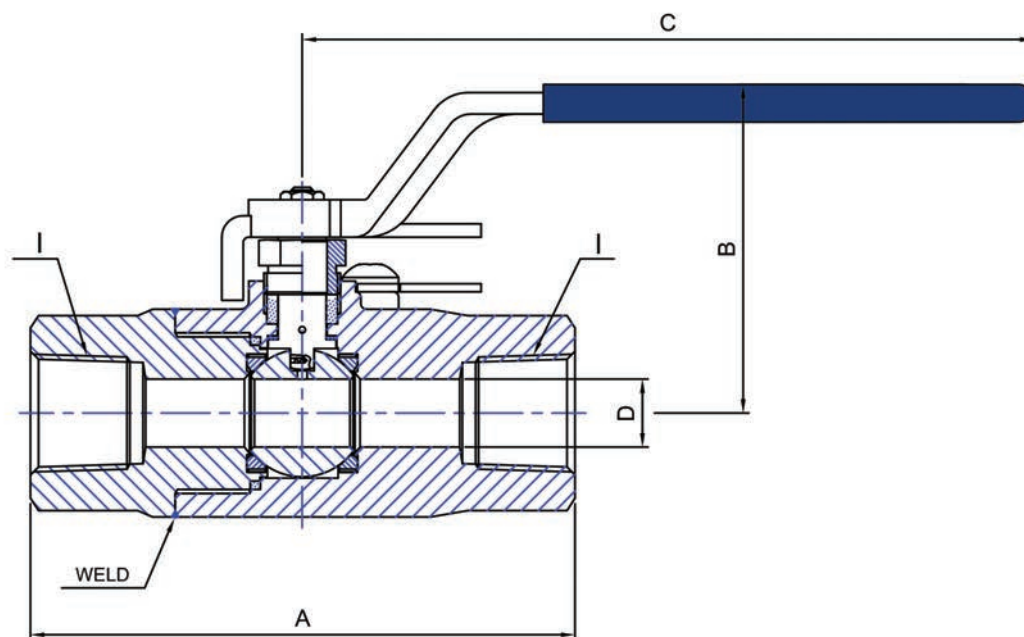
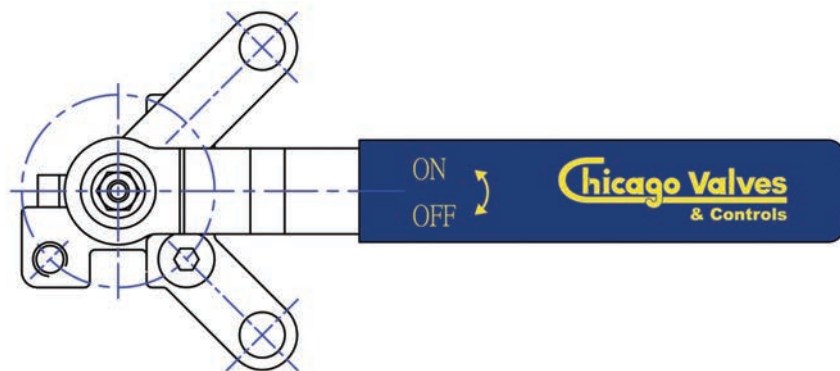
**PARTS AND MATERIAL**

PART NO.	PART NAME	QTY.	MATERIAL
1	Body	1	Carbon Steel ASTM A216 WCB 316 Stainless Steel ASTM A351 CF8M
2	End Piece	1	Carbon Steel ASTM A216 WCB 316 Stainless Steel ASTM A351 CF8M
3	Ball	1	316 Stainless Steel ASTM A351 CF8M
4	Stem	1	316 Stainless Steel
4A	Anti-Static Ball	2	300 Series Stainless Steel Hard Drawn Stainless Steel
5	Seat	2	PEEK / Delrin
6	Body Seal	1	Graphite
7	Thrust Bearing	1	PEEK
8	Stem Packing	1 Set	Graphite
9	Packing Nut	1	304 Stainless Steel
10	Travel Stopper	1	304 Stainless Steel
11	Screw	2	304 Stainless Steel
12	Handle	1	Carbon Steel ASTM A216 WCB
13	Handle Sleeve	1	PVC
14	Flange Nut	1	304 Stainless Steel

# Series FS27



Mounting Dimensions



## DIMENSIONS (INCHES)

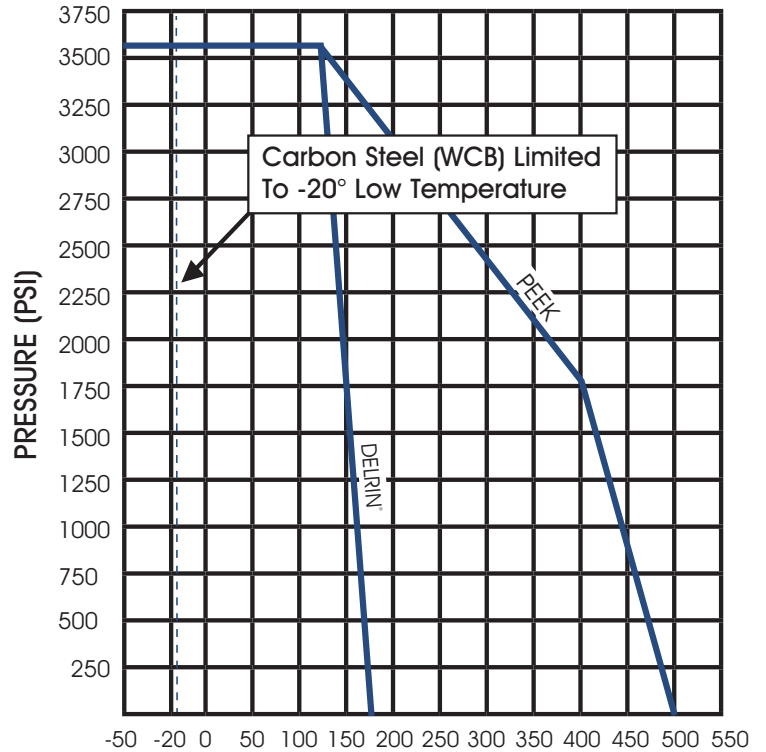
SIZE	A	B	C	D	E	F	G	H	I	ISO5211
1/4"	2.99	2.43	5.12	0.25	1/4-20UNC	1.42	0.20	0.31	NPT	F03
3/8"	2.99	2.43	5.12	0.25	1/4-20UNC	1.42	0.20	0.31	NPT	F03
1/2"	4.00	2.43	5.12	0.50	1/4-20UNC	1.42	0.20	0.31	NPT	F03
3/4"	4.25	2.99	5.71	0.75	1/4-20UNC	1.65	0.28	0.44	NPT	F04
1"	4.25	2.99	5.71	0.75	1/4-20UNC	1.65	0.28	0.44	NPT	F04
1"	4.50	3.85	10.00	1.00	1/4-20UNC	1.97	0.35	0.56	NPT	F05
1-1/2"	5.29	4.66	13.78	1.50	5/16-18UNC	2.76	0.39	0.62	NPT	F07
2"	6.25	4.66	13.78	1.50	5/16-18UNC	2.76	0.39	0.62	NPT	F07

### APPLICABLE STANDARDS

BASIC DESIGN	ASTM B16.34 CLASS 1500
SHELL & SEATS PRESSURE TEST	ASME B16.34
SOCKET WELD ENDS	ASME B16.11
THREADED ENDS	ASME B16.11
FIRE SAFE	API 607 6th EDITION (Fire Safe Only)

SIZE	CV (GPM)	WEIGHT (LBS)
1/4"	6.1	1.54
3/8"	6.1	1.50
1/2"	26	1.72
3/4"	61	3.09
1"	51	2.82
1"	114	4.45
1-1/2"	272	11.73
2"	229	12.92

### PRESSURE-TEMPERATURE RATINGS SERIES FS27



## HOW TO ORDER

<b>1"</b> Size	<b>FS27</b> Series	<b>6</b> Body <b>6</b> Ball & Stem	<b>P</b> Seats	<b>SW</b> Ends
<b>SIZE</b>	<b>SERIES</b>	<b>BODY</b>	<b>SEATS</b>	<b>ENDS</b>
1/4" 1"	27	6 316 Stainless Steel	P PEEK	TE Threaded Ends
3/8" 1"	FS27-Fire Safe	4 Carbon Steel	D DELRIN	SW Socket Weld Ends
1/2" 1 1/2"				T/S Threaded / Socket Weld
3/4" 2"				
		<b>BALL &amp; STEM</b>		
		6 316 Stainless Steel		

**Chicago Valves**  
& Controls



Toll-Free (833) 831-2312

Local (312) 637-3557

Fax: (312) 637-3543

E-Mail: sales@chicagovalves.com

www.chicagovalves.com

885 Cambridge Dr.

Elk Grove Village, Illinois 60007 U.S.A.